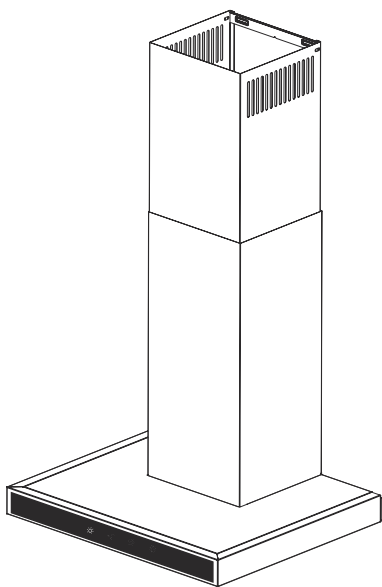


Assembly instructions

3173

HOOD USER GUIDE



SILVERLINE

3173
3173 DROP CONTROL
3173 NO DROP MATT BLACK

Read this manual prior to performing any task!

MANUFACTURER

Merzifon OSB AMASYA, Silverline

IMPORTER

Via Carlo Porta 4 20813 Bovisio Masciago (MB) - Italy

1, en_US

Table of contents

1	INPUT	4
2	Technical Drawing	5
3	WARNING AND SAFETY PRECAUTIONS	6
	3.1 LETHAL RISK, DANGER OF POISONING.....	8
4	USAGE WITH AND WITHOUT CARBON FILTER	12
5	CARBON FILTER REPLACEMENT	13
	5.1 Carbon Filter Replacement.....	13
	5.2 AF 500 Carbon Filter Replacement.....	14
6	CLEANING AND PREVENTIVE MAINTENANCE	15
	6.1 ALUMINIUM FILTER CLEANING.....	16
	6.2 Washing in Dishwasher.....	16
	6.3 Hand Wash.....	16
7	APPLIANCE POSITION	17
	7.1 Installation and Unpacking of the Appliance.....	17
	7.2 Recommendations for Energy Saving.....	18
8	CONTENT OF PACKAGE	19
9	OVERVIEW OF hood	20
10	ASSEMBLY OF PRODUCT	21
11	ASSEMBLY OF SHEET METAL FLUES	23
12	USE OF PRODUCT	24
	12.1 How to use 5 Spd Dig Touch Control Product.....	24
	12.2 Using Push Button Product.....	25
13	REPLACING THE LAMPS	26
	13.1 Spotlight Replacement.....	26
	13.2 Halogen Lamp Replacement.....	26
	13.3 Plug Lamp Replacement.....	27
14	AUTHORIZED SERVICE	28
15	TECHNICAL TABLE	30

1 INPUT

This guideline and the safety data includes all necessary information for a safe mounting as well as a safe use without defects.

- Please read all of this guideline and safety data before using the device.
- Keep the guideline in an appropriate place.
- If you pass the device onto others, make sure you also give this guideline and safety data.
- Disregarding this guideline may result in severe injuries and defects in the device.
- Please keep in mind that we won't be responsible for the defects arising from not taking this guideline into account.

The figures in this guideline aim to visually describe the actions. In these figures only one model of the device is illustrated. However, all instructions or figures also represent other models.

2 Technical Drawing

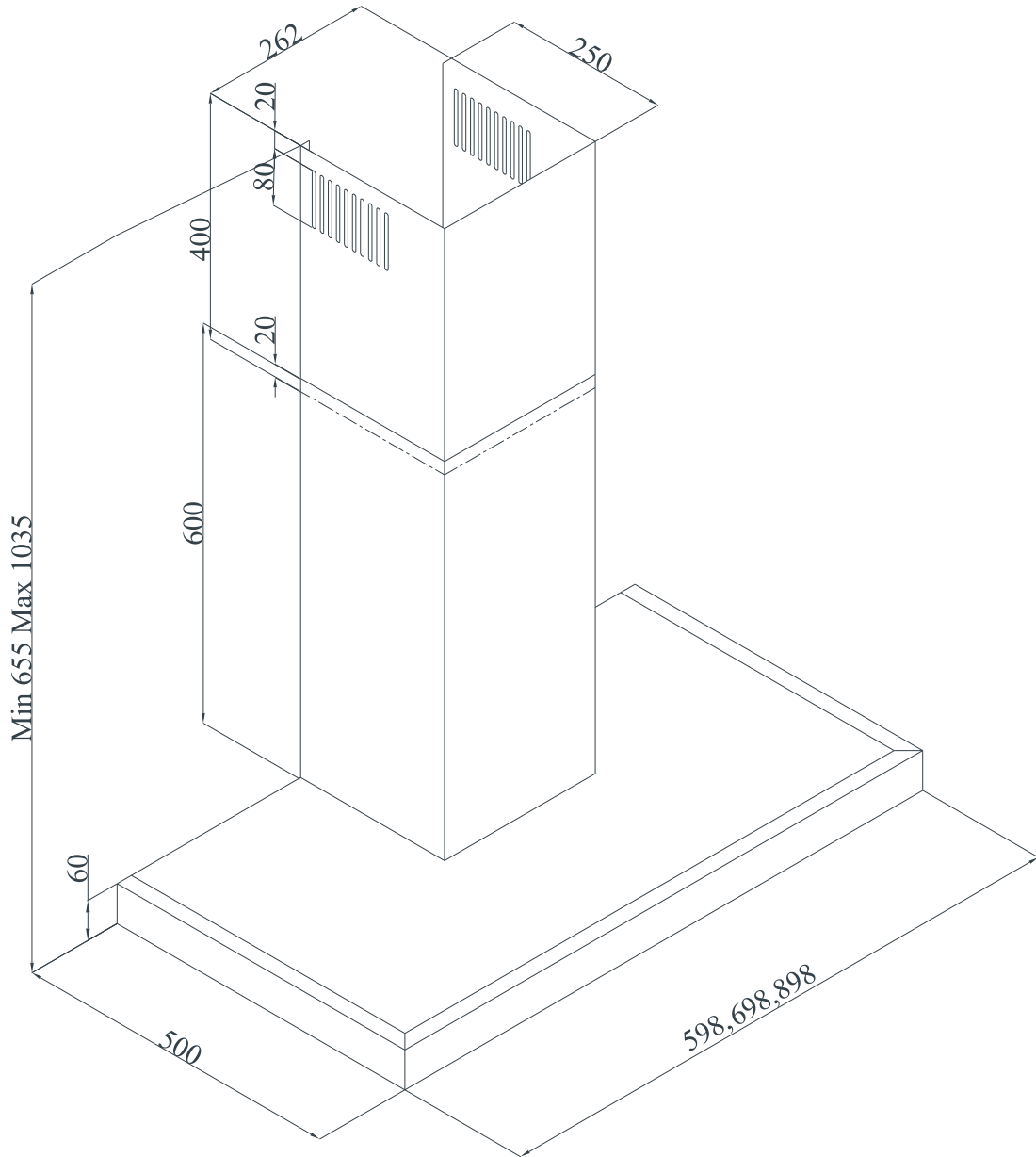


Fig. 1

3 WARNING AND SAFETY PRECAUTIONS

WARNING AND SAFETY PRECAUTIONS

- This appliance can be used by children of 8 years and older, people with physical, sensory or mental capability deficiency or people with lack of experience or knowledge; as long as they are provided supervision or instructions for the safe use of the appliance and they comprehend the dangers.
- Children should not tamper with the appliance. Cleaning and user maintenance operations must not be performed by children unless supervised.
- This product is designed for home use.
- Usage voltage of your product is 220-240 Volt~50-60 Hz.
- Power cord of your product is fitted with a grounded plug. This cord must be plugged into a grounded outlet.
- The whole electrical wiring must be installed by a qualified electrician.
- Installation by unauthorized persons could lead to poor operation performance, damage to the product, and accidents.
- Feeder cable of the appliance mustn't be exposed to jamming or crashing during assembly. Feeder cable mustn't be placed near the cooker. In such cases, it might melt down and lead to fire.
- Do not plug in the appliance before the installation.
- Make sure that the installation place allows the user to easily unplug the power cable in case of any danger.
- Do not touch your product's lamps when they work for a long time. The lamps may burn your hand as they will be hot.
- Kitchen hoods are manufactured for household use in normal home cooking. There is a risk of malfunction in other types of use, and the product guarantee will be void.
- Comply with the rules and instructions regarding discharge of outgoing air, stipulated by the relevant authorities. (This warning does not apply to uses without flue.)
- Flammable foods must not be cooked under the appliance.
- Start your product after you place pot, pan etc. on the stoves. Otherwise, high temperature may cause some parts of your products to deform.
- Turn off the cooker's burner before taking the saucepan, pan, etc. off the cooker.
- Do not leave boiling oil on the stove. Pots that contain boiling oil may catch fire by itself.
- Since oils could catch fire when you cook fried foods in particular, be careful about your curtains and tablecloths.
- Ensure timely replacement of the filters. Filters not replaced in a timely manner pose risk of fire due to accumulated grease deposits on them.
- Do not use non-fire-resistant filtering materials instead of the filter.
- Do not operate your product without filter, and do not remove the filters when the product is in operation.
- In case of any fire, de-energize the hood and any other cooking devices. (Plug off the appliance or turn off the main switch.)

- If your product's periodic cleaning is not made in a timely manner, it could pose risk of fire.
- De-energize the appliance before any maintenance operations. (Plug off the appliance or turn off the main switch.)
- When electric cooker hood and devices fed with energies other than electricity operate simultaneously, the negative pressure in the room must not exceed 4 Pa (4 X 10 bar).
- Gas or fuel oil burning appliances, such as room heaters, which share the same environment with your product, must be fully insulated from the exhaust of this product or they must be hermetical.
- When you make a flue connection for your product, use pipes with a diameter of 150mm or 120 mm. The length of the duct connection as well as the number of elbows must be as minimum as possible.
- Children must not play with the appliance.
- For your safety, use "MAX 6 A" fuse in the hood system.
- Since the packing materials could be dangerous, keep them away from children.
- If the feeder cable is damaged, it must be replaced by its manufacturer or its authorized technical service or any other personnel qualified at the same level, in order to avoid any dangerous situation.
- In case of any deflagration, de-energize the cooker hood and cooking appliances, and cover the flame. Never use water to extinguish the fire.
- When cooking appliances are in operation, their accessible parts could be hot.
- This appliance is not intended to be used by people with physical, sensory and mental disabilities (including children) or those who do not have adequate experience and knowledge regarding its use, unless they are under the supervision of a person responsible for the safety of the appliance.
- After the installation of the hood, the minimum distance must be 65 cm between the product and any electric cooker; and 75 cm between it and any gas ranges or cookers burning other fuels.
- Output of the hood must not be connected to air ducts, where smoke from other sources could exist.
- You must be careful when using the appliance spontaneously with other appliances (e.g. gas, diesel fuels, coal, wood, etc. burning heaters, shower heaters), which use the same air in the same environment. Attention must be paid when using them simultaneously. It is because the hood could adversely affect the combustion, by discharging the ambient air.
- This warning does not apply to uses without flue.
- When electric cooker hood is used simultaneously with devices that use gas or other fuels, there must be sufficient ventilation in the room (might not apply to devices that discharges the air back into the room).

3.1 LETHAL RISK, DANGER OF POISONING



DANGER!

Warning - Choking Hazard

The packaging materials are dangerous for children. Never allow children to play with packaging materials.



DANGER!

Warning - Death Hazard

There are life-threatening danger and poisoning danger due to reabsorbed combustion gases. During the air discharge outlet use, unless sufficient air supply is provided, do not use the appliance simultaneously with devices that discharge toxic gases through flue such as ventilated, gas, oil, wood or coal burning heaters, shower heaters, water heaters, etc. Fig. 2

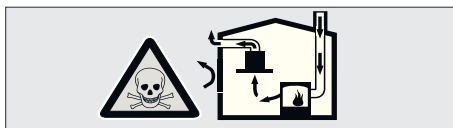


Fig. 2: Poisoning Danger

Ventilated goods (e.g. gas, oil, wood or coal burning heaters, shower heaters, water heaters) take combustion air from the installation location, and discharge the waste gas through a waste gas system (e.g. flue). When the cooker hood is active, it absorbs air from the kitchen and neighbouring rooms. If adequate air entry is not provided, vacuum emerges. In such a case, the toxic gases are absorbed from the flue and waste gas channel, and are taken into the door again. Fig. 2

- Therefore, adequate fresh air ingress must always be ensured. Fig. 3

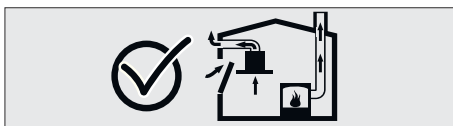


Fig. 3

**WARNING!****Fire danger!**

- The oil residue in the oil filter may catch fire. **Clean the oil filter at least once every 3 months.** Never operate the device without the oil filter.
- The oil residue in the oil filter may catch fire. Never work with open flame (ex. flambe) near the device. The apparatus is allowed to be installed near a solid fuel (e.g. wood or coal) heater only if it has a non-removable cover. No sparks should be scattered.
- Hot oils and fats catch fire easily. Hot oils and fats should never be left unattended. Never try to put out fire with water. Turn off the cooker. Kill the flames carefully using a cover, fire blanket or a similar material.
- Gas operated cookers that do not have a cooking pot on create high heat during operation. A ventilation device placed over the cookers can be damaged or burned for this reason. Operate gas cookers only when there is a cooking pot on them.
- Operating multiple gas cookers simultaneously creates high heat. A ventilation device placed over the cookers can be damaged or burned for this reason. Never operate two gas cookers longer than 15 minutes on high flame setting. A large burner over 5kW (Wok) has the power of two gas burners.

**WARNING!****Electrocution hazard!**

- A malfunctioning device may cause electric shock. Never turn on a malfunctioning device. Pull the power plug and switch off the circuit breaker. Call customer service.
- Unsuitable repairs pose hazards. Repairs and replacement of damaged power cords must be performed only by a customer services technician trained by us. If the device is malfunctioning pull the power plug and switch off the circuit breaker. Call customer service.
- Water leaking into the device may cause electric shock. High pressure or steam cleaners must not be used.

**DANGER!****Danger of physical injury!**

- During the installation, there is a danger of physical injury due to the sharp edges. Use protective gloves throughout the installation process of the appliance.
- Due to risk of dropping the appliance, assembly of all safety bolts and covers must be performed as specified in the user manual.
- Objects placed on the appliance may fall over. Do not place any objects on the device.
- LED lights are very bright and may damage eyes (Risk group 1). You must not look directly at running LED lights for longer than 100 seconds.

**WARNING!****Risk of burn, risk of electric shock!**

- Allow the appliance to cool before cleaning or maintenance process. Switch off the fuse or pull out the mains plug from the socket.
- There is risk of damage due to ingress of moisture in the electronics. Do not clean the control components with a wet cloth.
- The surface could be damaged due to a wrong cleaning process. Clean stainless steel surfaces only in their brushing direction. Do not use a stainless steel cleaner for the control elements.
- The surface could be damaged due to aggressive and abrasive cleaning agents. Never use aggressive and abrasive cleaning agents.

**WARNING!****Dangers of fire and physical injury!**

In case of repairing that is not performed according to the rules or as required, turn off the fuse or unplug the feeder cable of your appliance. Repairing must be performed only by the authorized technical service or authorized experts.

**NOTICE!**

If the appliance is faulty or damaged, turn off the fuse or unplug the feeder cable of your appliance and call the authorized service.

**NOTICE!**

If the feeder cable is damaged, it must be replaced by its manufacturer or its authorized technical service or any other personnel qualified at the same level, in order to avoid any dangerous situation.

**NOTICE!**

When the bulbs of the device malfunction, switch off the circuit breaker and unplug the device's power plug from the socket. Replace the defective bulbs immediately (leave bulbs to cool down first), in order to protect the remaining bulbs against overloading.

**CAUTION!**

Accessible components might be heated when used with cooking devices.

**DANGER!**

Air outlet pipe of this appliance mustn't be connected in the flue used to discharge the fume generated by devices that use gas or other fuels.

Damage reasons**CAUTION!**

Damage hazard due to corrosion. Always run the appliance to prevent condensate formation while cooking. Condensates may cause corrosion damage. Replace the malfunctioning lamp right away to prevent overloading of other lamps. Moisture intrusion in electronic parts poses a risk of damage. Never clean the control elements with a wet cloth. The surface could be damaged due to a wrong cleaning process. Clean stainless steel surfaces only in their brushing direction. Do not use a stainless steel cleaner for the control elements. The surface could be damaged due to aggressive and abrasive cleaning agents. Never use aggressive and abrasive cleaning agents. There is a risk of damage due to condensate liquid backflow. Install the air exit canal with a small downward inclination (1° inclination) from the appliance.

4 USAGE WITH AND WITHOUT CARBON FILTER



You can use this appliance in exhaust air mode and ventilated air mode.

Exhaust air mode

The absorbed air is cleaned by the grease filters, and is discharged through a piping system. Fig. 4

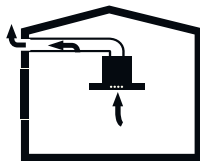


Fig. 4: Air Outlet without Carbon Filter



NOTICE!

Exhaust air must not be transferred to an active smoke or waste gas flue; or a flue used for ventilation of the places, where heat sources are installed.

- If you want to transfer exhaust air to an inactive smoke or waste gas flue, you need to obtain permission from an authorized chimney sweep.
- If exhaust air is discharged through the external wall, a telescopic wall safe must be used.

Ventilated air mode



Absorbed air is cleaned by the grease filters and an active carbon filter, and then it is transferred back to the kitchen. Fig. 5

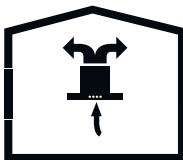


Fig. 5: Air Circulation with Carbon Filter



You need to install an active carbon filter, in order to catch the substances, which cause stink in the circulating air. Consult your authorized dealer to know the different opportunities available for enabling the appliance to function in circulating air mode. You can buy the accessories required for this process from the relevant outlets, authorized technical service or online sales center.

5 CARBON FILTER REPLACEMENT

Under circumstances without a flue, an active carbon filter should be used to resend the inside air by re-filtering. An active carbon filter should be obtained from the service or your dealer. Disconnect the device prior to replacing the carbon filter. Since the carbon filter is used in kitchens without a flue outlet, it should be replaced with a new one every 3 to 5 months subject to usage. The carbon filter should never be washed. In any case the oil filters should be attached to the product regardless of using a carbon filter or not. Do not use the product without an oil filter.

5.1 Carbon Filter Replacement

CARBON FILTER

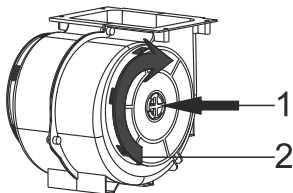


Fig. 6: CARBON FILTER

The device you have bought is suitable for use with a carbon filter.

- 1-Place the carbon filter in its housing.Fig. 6
- 2-Rotate the carbon filter clockwise and make sure that it is seated completely.Fig. 6



If not seated completely, the carbon filter can fall and damage your product.



DANGER!

Never wash the carbon filters.

Keep carbon filters away from children.

5.2 AF 500 Carbon Filter Replacement

CARBON FILTER

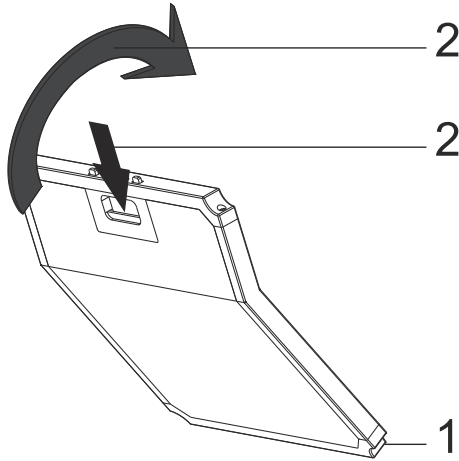


Fig. 7: CARBON FILTER

- Active carbon filter is not included in the delivery.
- You can obtain active carbon filter from authorized sellers.

The appliance you have purchased is appropriate for use with carbon filters.

- 1-Place the lower part of the carbon filter to the motor cabinet.Fig. 7
- 2-Press on the tab of the carbon filter and push it forward, and ensure that the tabs of carbon filter are engaged and locked.Fig. 7



If carbon filter does not fit in completely, it might drop and damage your product.



DANGER!

Never wash carbon filters unless you are sure that they are washable. Consult your seller.

Keep carbon filters away from children.

6 CLEANING AND PREVENTIVE MAINTENANCE

**CAUTION!**

Cleaning and user maintenance of the appliance shall not be performed by unattended children.

- The surface could be damaged due to aggressive and abrasive cleaning agents. Never use aggressive and abrasive cleaning agents. Procure your cleaning and protective substances that are appropriate for your appliance from the authorized technical service. Surface of appliance and control units are sensitive to scratching.
- Clean the surfaces with a soft and damp cloth, dish-washing liquid or mild glass cleaning agent. Soften the dry, sticky dirt with a damp cloth. Do not scrape!
- It is not appropriate to use dry cloths, sponges that may scratch, materials that require rubbing, and other aggressive cleaning agents containing sand, soda, acid or chlorine.
- Clean the stainless steel surfaces in their brushing direction only.
- Do not use stainless steel cleaning agents and wet clothes for control units. Cleaning of metal grease filters Used metal grease filters retain the greasy particles in the moisture and vapour generated in the kitchen. Clean the metal grease filters about every three months, under normal use conditions (1 to 2 hours a day).
- Do not use excessively effective, acidic or alkaline cleaning agents.
- For cleaning the metal grease filters, clean the holder parts of the metal grease filters in the appliance, with a damp cloth as well.
- You can clean the metal grease filters in the dishwasher or by hand.
- Do not apply spray cleaning supplies directly to the product.
- Do not keep flammable and/or heavy decorative items on the product.

6.1 ALUMINIUM FILTER CLEANING

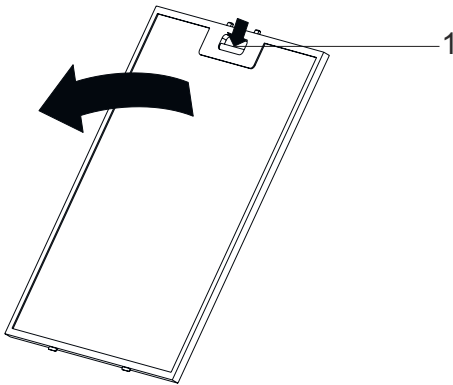


Fig. 8

1 Aluminium Filter Tab



Clean the aluminium oil filters periodically every 3 months.

- Press the aluminium filter tab (1) and pull the aluminium filter to the direction of the arrow (Fig. 8).
- As you remove the aluminium filter, hold it with your other hand to prevent it from dropping.
- As you remove the aluminium filter, in order to prevent the accumulated oil to drip, keep the filter surface parallel to the floor.

6.2 Washing in Dishwasher

In case of washing in dishwasher, a slight change might occur in colour. This has no effect on the function of the metal grease filter.

- Do not clean too dirty metal grease filters together with utensils in the dishwasher.
- Place the metal grease filters loosely and freely in the dishwasher. Metal grease filters must be placed in the dishwasher without jamming.

6.3 Hand Wash



For stubborn dirt, you can use a special grease solvent. You can buy such an agent from the authorized sales centre.

- *Soften the metal grease filters in a hot water with dish-washing liquid.*
- *Use a brush for cleaning and wait for the liquid in metal grease filters to flow off completely.*
- *Rinse the filters thoroughly after cleaning.*

7 APPLIANCE POSITION

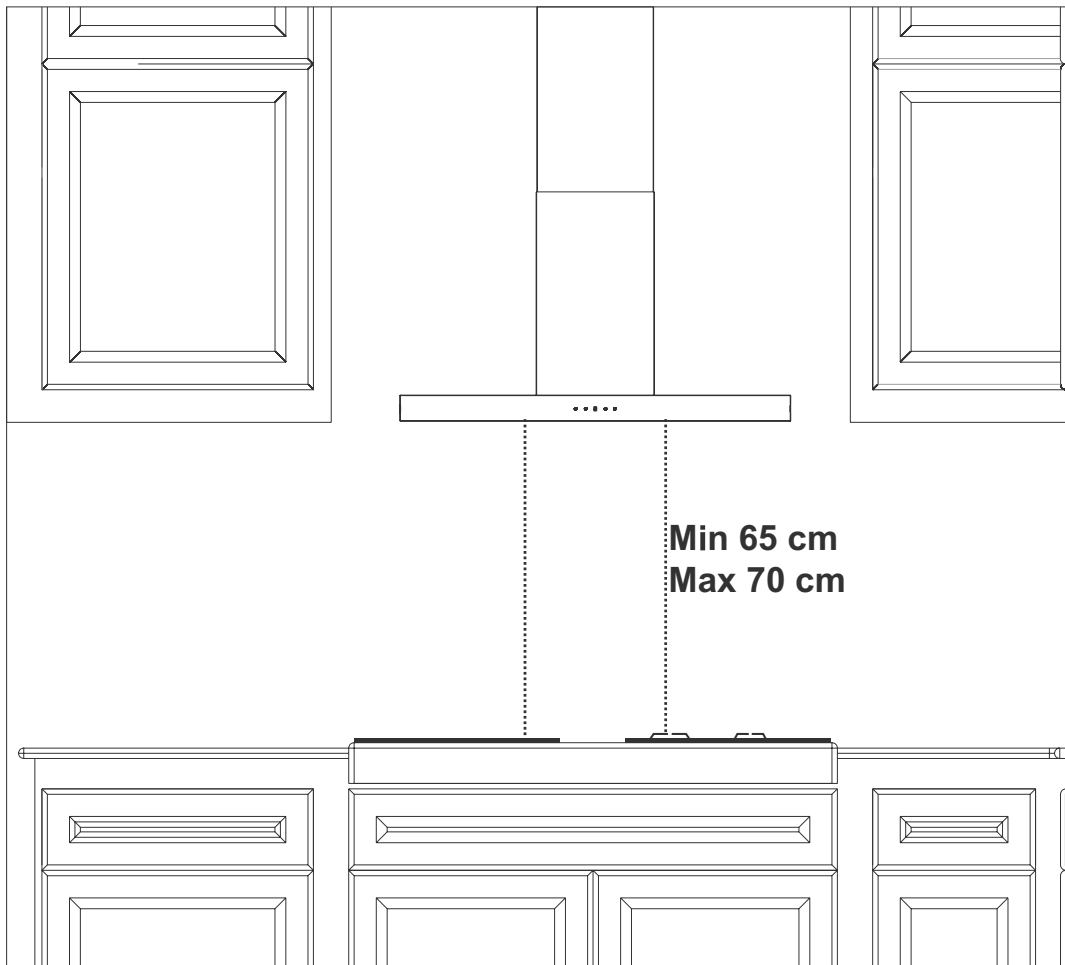


Fig. 9

After completing the installation of hood, the minimum distance must be 65 cm between the product and any electric cooker; and 75 cm between it and any gas ranges or cookers burning other fuels (Fig. 9).

7.1 Installation and Unpacking of the Appliance

- Check that your appliance is not deformed.
- Report any transport issues immediately to transport operator.
- Any faults encountered shall be reported to the dealer, too.
- Do not allow children to play with the packaging materials!

7.2 Recommendations for Energy Saving

- Replace the carbon filters on a regular basis.
- Regularly clean your aluminium filters. Since dirty filters would block the air passage, you might have to use the appliance at a higher speed.
- Use your product according to its normal speeds.
- Use at higher speed would cause an increase in the energy consumption.

8 CONTENT OF PACKAGE

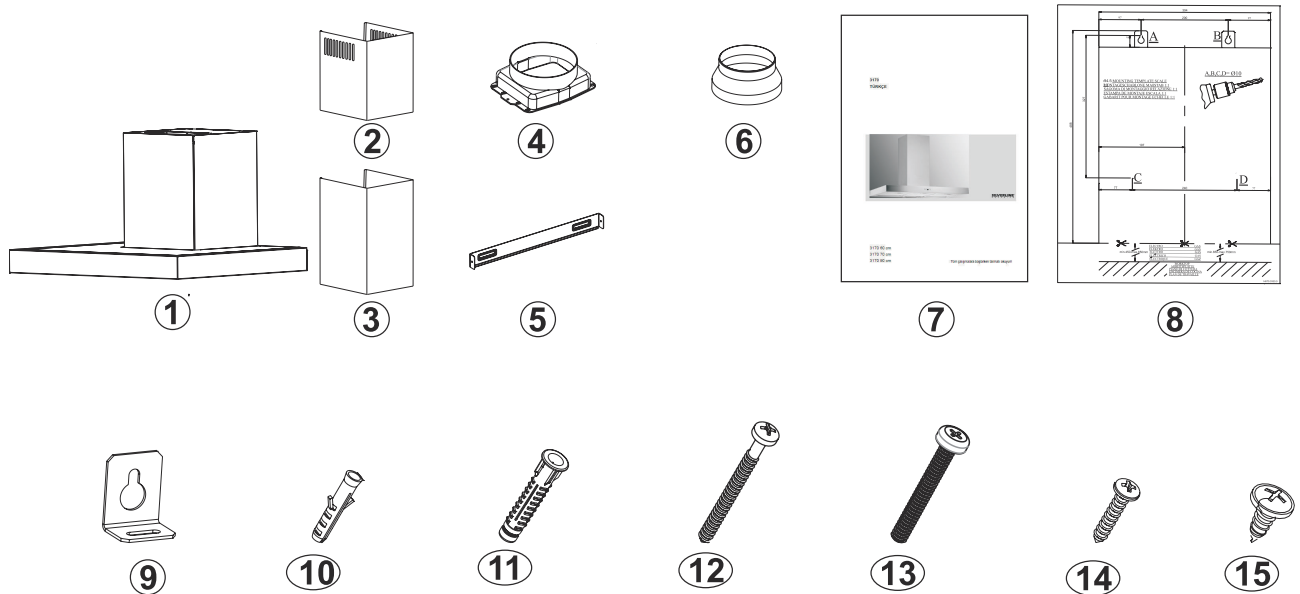


Fig. 10

- | | |
|------------------------------------|--|
| 1- Product | 9- Product Hanging Plate |
| 2- Inner Flue | 10- Ø6mm Plastic Dowel |
| 3- Outer Flue | 11- Ø 10 mm Plastic wall plug |
| 4- Ø150/120mm Plastic Flue Adapter | 12- 5.5x60 Wall Mount Screw |
| 5- Assembly Pattern | 13- M5x35 Product Mount Screw |
| 6- Ø150mm Plastic Flue | 14- 3.9x22 Flue Connection Plate Screw |
| 7- User Manual | 15- 3.5x9.5 Flue Connection Screw |
| 8- Mounting template | |

9 OVERVIEW OF hood

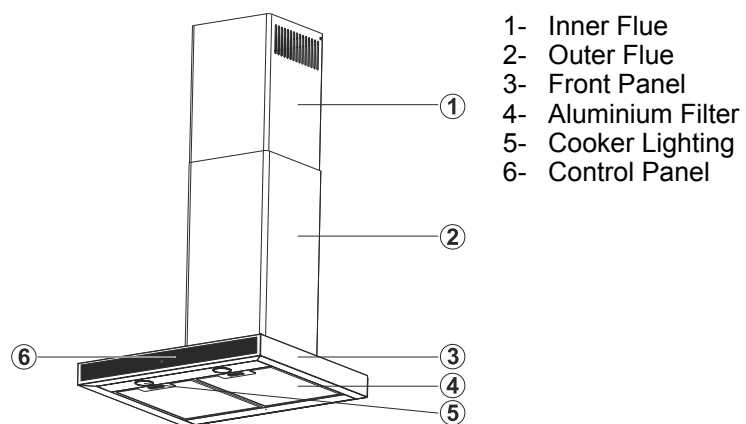


Fig. 11

10 ASSEMBLY OF PRODUCT

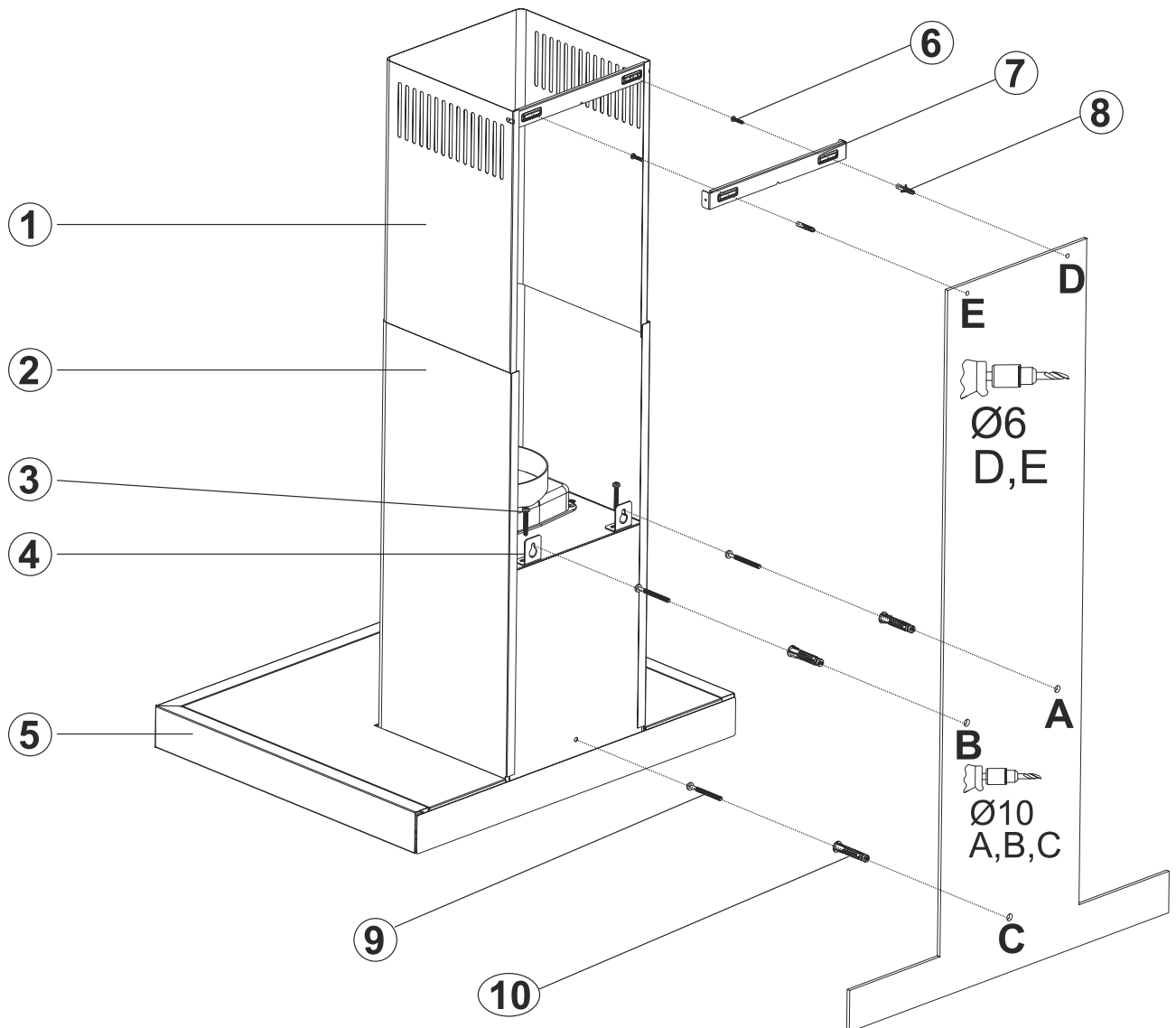


Fig. 12

- | | |
|---------------------------------------|----------------------------------|
| 1- Inner Flue | 6- 2x 3.9x22 Screw |
| 2- Outer Flue | 7- Flue Connection Plate |
| 3- Product Hanging Plate | 8- 2x Ø6mm Plastic Dowel |
| 4- Product Hanging Plate Fixing Screw | 9- 3x 5.5 x 60 Wall Mount Screw |
| 5- Glass | 10- 3x Ø 10 mm Plastic wall plug |

1. ➤ Assemble the cooker hood with the help of the assembly scheme.
2. ➤ Affix the assembly pattern on the wall at the specified height (See the minimum and maximum distances intended for the worktop, in the assembly pattern) and drill holes A, B and C with the dimensions specified in the template (Fig. 12).

3. ➤ Insert \varnothing 10mm wall plugs into the holes drilled as A, B, C, D, and screw down the 5.5 x 60 screws (9) at the points A + B, in such a way as to remain 5mm space between the screw head and the wall (Fig. 12).
4. ➤ Affix the hanging plates of the cooker hood on the body of the cooker hood with M5x35 bolt (3) (Fig. 12).
5. ➤ Hang the hood from its hanging plates on the wall at points (A, B). If the hood is not parallel, position its shape to parallel by tightening or loosening M5x35 screw (3).
6. ➤ Tighten A + B fixing screws on the wall, and completely secure the product at point C.
7. ➤ Make the air outlet connection of the product



This section is for models that don't feature self flue exhaust.

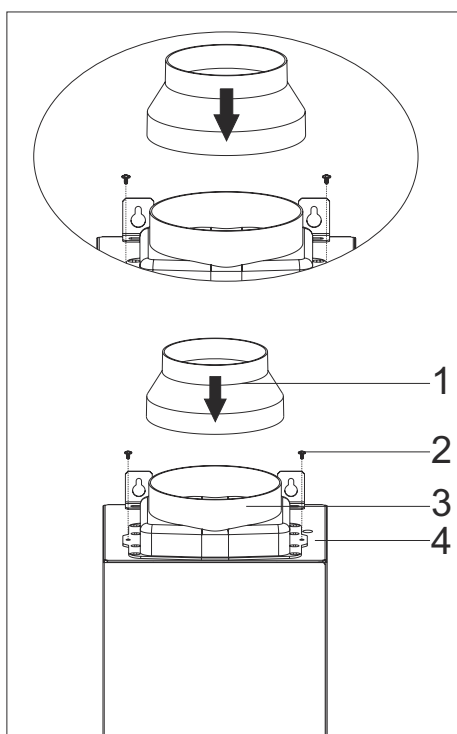
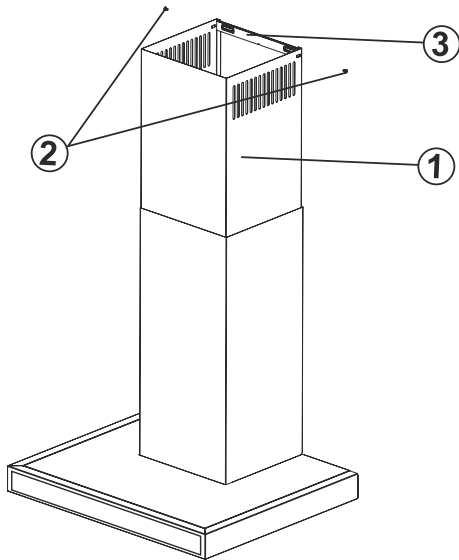


Fig. 13

1. ➤ Mount the plastic flue to the product body using 2 3.5x9.5 screws (Fig. 13).
2. ➤ Connect the flue adapter to the plastic flue when required (Fig. 13).
3. ➤ Mount the air outlet pipe of the product.

11 ASSEMBLY OF SHEET METAL FLUES



- 1- Inner Flue
- 2- Flue Connection Plate Fixing Screws
- 3- Flue Connection Plate

The outer and inner sheet metal flues are assembled one within the other.

The cooker hood is set in the midst, and then the flue connecting plate (3) is directly affixed to the wall, under the cover or mark the points E and F. ()

Drill points E and F with Ø6mm drill bit, and insert Ø6mm and plastic dowels. Insert the flue connection plate with 3,9X22 screws ().

Affix the inner flue to the flue connection plate by pulling it upwards (Fig. 14/2).

Fig. 14

12 USE OF PRODUCT



Fig. 15: Touch Button

1. When this button is pressed, product will operate at speed level 1.
2. When this button is pressed, product will operate at speed level 2.
3. When this button is pressed, product will operate at speed level 3.
4. Press this button to turn on or off the lamp.

To activate timer function, press and hold any of buttons , and for 3 seconds. When the timer function is activated the relevant button symbol will flash for 15 mins. Then, 15 minute timer function will be activated and the product will turn off automatically after 15 minutes.



After the activation of timer function, pressing any button will deactivate the timer function.



*All active functions operated prior to activation of timer function will be deactivated after 15 minutes.
All active functions operated after activation of timer function will be reactivated after 15 minutes.*

12.1 How to use 5 Spd Dig Touch Control Product

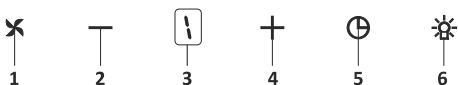


Fig. 16: 5 Spd Dig Button

1. Press this button to turn on the product. Fig. 16
2. Press this button to decrease the motor speed. Fig. 16
3. Dig display You can follow which speed the product is currently working on this display. Fig. 16
4. Press this button to increase the motor speed. Fig. 16
5. When timer button is pressed, a 15-minute timer function will be activated; display will give a signal once the timer starts and the motor will stop automatically after 15 minutes. Fig. 16

6. Press this button to turn on and off the lamp. Fig. 16

Cleaning Periods for Metal Filters

Filters should be cleaned when "C" signal appears on the Display or (due to usage) every 2 or 3 weeks. To delete "C" signal after the filters are cleaned and replaced, press and hold (✕) button more than 3 secs (when device is off). Letter "E" will appear on the Display and it will switch to normal operation. If operation before deleting the "C" signal is required, active motor speed will appear for 1 sec when you press (✕) button and then the motor will resume running.

12.2 Using Push Button Product

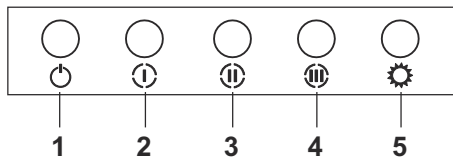


Fig. 17: push button

1. Press this button to reset your product.
2. Product will run on 1st speed level when this button is pressed.
3. Product will run on 2nd speed level when this button is pressed.
4. Product will run on 3rd speed level when this button is pressed.
5. Press this button to turn on and off the lamp.

13 REPLACING THE LAMPS

13.1 Spotlight Replacement



It indicates the maximum power consumption of the lamp. A lamp with same power rating should be used when replacing the lamp.



To find out the power rating used in the product, see the declaration label in the product.

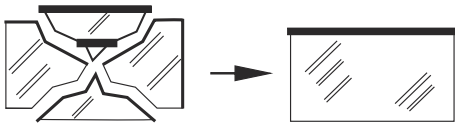


Fig. 18



DANGER!

When replacing lamps, lamp's glass may be broken and cause injuries.

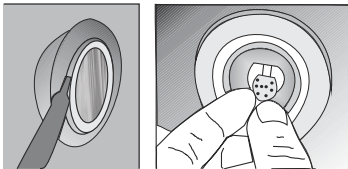


Fig. 19

Disconnect the electrical supply of the hood. Remove the aluminium cartridge filter. Remove the faulty bulb and replace with a new one with the same rating (Fig. 19).



DANGER!

Leave the lamps to cool down first because they could burn your hands when they are hot.

13.2 Halogen Lamp Replacement



WARNING!

Disconnect the electrical supply of the hood. Leave the lamps to cool down first because they could burn your hands when they are hot.



It indicates the maximum power consumption of the lamp. A lamp with same power rating should be used when replacing the lamp.



To find out the power rating used in the product, see the declaration label in the product.



Only self-protection tungsten halogen lamp or self-protection metal halide lamp must be used.

Fig. 20: Halogen lamp symbol

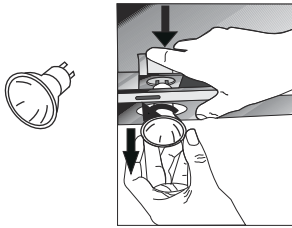


Fig. 21: Halogen Lamp Replacement

For replacing the halogen lamps, push downwards on the lamp holder from its behind, turn it a little bit counter-clockwise, and take it out downwards. Fig. 21

13.3 Plug Lamp Replacement



WARNING!

Disconnect the electrical supply of the hood. Leave the lamps to cool down first because they could burn your hands when they are hot.



It indicates the maximum power consumption of the lamp. A lamp with same power rating should be used when replacing the lamp.



To find out the power rating used in the product, see the declaration label in the product.

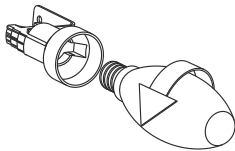


Fig. 22: Spark Plug Lamp Replacement

Remove the aluminium cartridge filter. Remove the faulty bulb and replace with a new one with the same rating. Fig. 22

14 AUTHORIZED SERVICE

If Lighting is Not Functioning:

- Make sure that the plug is plugged in, and that the fuses are intact.
- Check the bulbs. Make sure you unplugged the device before performing this check. Tighten the bulbs if they are loose; you can replace the bulbs if they still don't work.

Possible Faults and Things that You can do Before Calling Technical Service:

A) If the device does not run in any way:

- Check to see if the hood is plugged in or if the plug fits properly into the socket.
- Check the fuse, to which the appliance is connected, as well as the main fuse of your house.

If the device performance is not enough and it creates high noise while running:

- Is the outlet diameter of the appliance's flue adequate? (min. 120 mm).
- Are the metal filters clean? Please check.
- If you use the hood without flue, make sure that the carbon filters are not older than 6 months.
- Be attentive to ventilate your kitchen adequately, in order to provide an airflow. If you are still not satisfied with the performance of the appliance, consult the authorized technical service.

Troubleshooting

Fault description	Cause	Remedy
Product Does Not Work	Check the power connection.	Mains voltage must be 220-240 V, and product must be plugged into a grounded socket.
Illumination lamp does not operate	Check the power connection.	Mains voltage must be 220-240 V, and product must be plugged into a grounded socket.
Illumination lamp does not operate	Check the lamp switch.	Lamp switch must be at "on" position.
Illumination lamp does not operate	Check the bulbs.	Bulbs must be operative.
Product's Air Intake is Weak	Check The Aluminium Filter.	The aluminium cartridge filter should be washed once a month under normal conditions.
Product's Air Intake is Weak	Check The Air Outlet Flue.	Air Outlet Flue Must Be Open.
Product's Air Intake is Weak	Check The Carbon Filter.	In products that work with carbon filters, carbon filter must be replaced once in every 3 months under normal conditions.

Fault description	Cause	Remedy
It Does Not Discharge Air (in flueless use)	Check The Aluminium Filter.	The aluminium cartridge filter should be washed once a month under normal conditions.
It Does Not Discharge Air (in flueless use)	Check The Carbon Filter.	In products that work with carbon filters, carbon filter must be replaced once in every 3 months under normal conditions.

15 TECHNICAL TABLE

Supply Voltage	220 - 240 V 50Hz
Insulation Class of Motor	F
Insulation Class	CLASS I



This product complies with the 2014/30/EC (Regulation on Electro-magnetic Compliance) and 2014/35/EC (Regulation on Low Voltage Devices (LVD)) Directives.



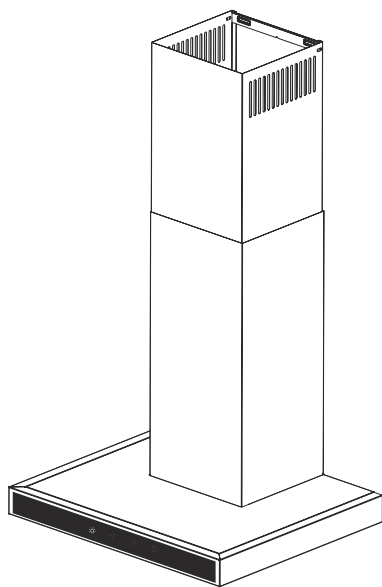
This device complies with the Directive on the Control of Waste Electrical and Electronic Equipment.

Specifications of the device and this manual may be modified without prior notification.

Istruzioni di montaggio

3173

GUIDA UTENTE DELLA CAPPA



SILVERLINE

3173
3173 DROP CONTROL
3173 NO DROP MATT BLACK

Prima di qualsiasi intervento leggere le istruzioni!

MANUFACTURER

Merzifon OSB AMASYA, Silverline

IMPORTER

Via Carlo Porta 4 20813 Bovisio Masciago (MB) - Italy

1, it_IT

Indice

1	INGRESSO	4
2	Disegno Tecnico	5
3	AVVERTENZE E MISURE DI SICUREZZA	6
	3.1 RISCHIO DI VITA - PERICOLO DI AVVELENA- MENTO.....	8
4	UTILIZZI DEI FILTRI CON O SENZA CARBONE	13
5	SOSTITUZIONE DEL FILTRO A CARBONE	14
	5.1 AF 100 Sostituzione del filtro a carbone.....	14
	5.2 AF 500 Sostituzione del filtro a carbone.....	15
6	PULIZIA E MANUTENZIONE PREVENTIVA	16
	6.1 PULIZIA DEI FILTRI IN ALLUMINIO.....	17
	6.2 Lavaggio in Lavastoviglie.....	17
	6.3 Lavaggio a mano.....	17
7	COLLOCAZIONE DEL DISPOSITIVO	18
	7.1 Installazione e Disimballaggio.....	18
	7.2 Consigli per risparmiare energia.....	19
8	CONTENUTO DELLA CONFEZIONE	20
9	VISTA GENERALE DELLA CAPP A	21
10	INSTALALZIONE DEL PRODOTTO	22
11	MONTAGGIO DELLA LAMIERA DI CANNA FUMARIA ...	24
12	COME USARE IL PRODOTTO	25
	12.1 Come usare il controllo Dig Touch del prodotto a 5 velocità.....	25
	12.2 Uso del prodotto con pulsante a pressione.....	26
13	SOSTITUZIONE DELLE LAMPADE	27
	13.1 Sostituzione faretto.....	27
	13.2 Sostituzione della Lampada Alogena.....	27
	13.3 Sostituzione della Lampada Plug.....	28
14	ASSISTENZA TECNICA AUTORIZZATA	29
15	SCHEDA TECNICA	31

1 INGRESSO

Questo manuale e i dati di sicurezza comprendono tutte le informazioni necessarie per un montaggio sicuro ed un utilizzo sicuro senza difetti.

- Leggere attentamente tutte queste indicazioni e dati di sicurezza prima di utilizzare il dispositivo.
- Tenere il manuale in un luogo appropriato.
- Se il dispositivo viene trasferito ad altri utenti, accertarsi di fornire anche questo manuale di uso e di sicurezza.
- La mancata osservanza di questo manuale può causare gravi lesioni e difetti nel dispositivo.
- Si prega di tenere presente che non saremo responsabili per i difetti derivanti dalla non considerazione di questo manuale.

Lo scopo delle figure di questo manuale é a descrivere visivamente le azioni. In queste figure è illustrato solo un modello del dispositivo. Tuttavia, tutte le istruzioni o figure rappresentano anche altri modelli.

2 Disegno Tecnico

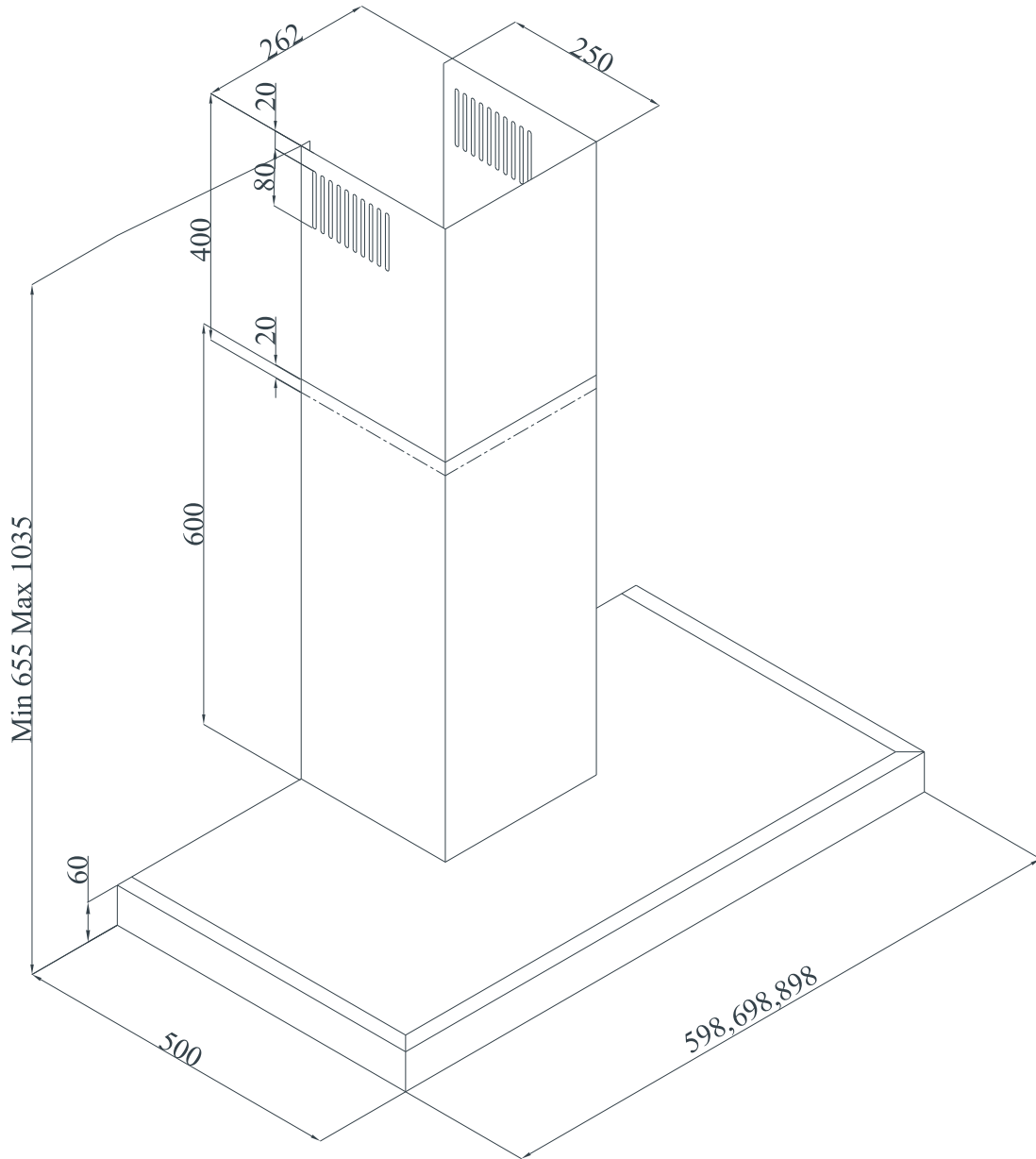


Fig. 1

3 AVVERTENZE E MISURE DI SICUREZZA

AVVERTENZA E MISURE DI SICUREZZA

- Questa apparecchiatura può essere usata da bambini a partire dagli 8 anni, persone con disabilità fisiche, sensoriali o mentali o persone non in possesso di esperienza o conoscenze, a condizione che le stesse siano supervisionate o istruite in merito all'uso sicuro dell'apparecchiatura, con indicazione dei potenziali pericoli.
- I bambini non devono manomettere l'apparecchio. Operazioni di pulizia e di manutenzione dall'utente non devono essere eseguiti dai bambini senza supervisione.
- Questo prodotto è stato pensato per essere utilizzato in un contesto domestico.
- La tensione di utilizzo del prodotto è 220-240 Volt~50/60 Hz.
- Il cavo di alimentazione del prodotto è dotato di messa a terra. Tale cavo deve essere collegato a una presa dotata di messa a terra.
- Tutto il cablaggio elettrico deve essere installato da un elettricista qualificato.
- L'installazione da parte di persone non autorizzate potrebbe portare a scarsa performance operativa, danni al prodotto ed incidenti.
- Il cavo di alimentazione dell'apparecchiatura non deve essere esposto a possibilità di schiacciamento o di rottura durante il montaggio. Il cavo di alimentazione non deve essere posizionato vicino al fornello. In tali casi, il cavo potrebbe fondersi e provocare incendio.
- Non collegare l'apparecchiatura alla presa prima dell'installazione.
- Assicurarsi che la conformazione del luogo di installazione consenta all'utente di scollegare facilmente il cavo di alimentazione in caso di pericolo.
- Non toccare le lampade in dotazione al prodotto quando sono rimaste accese per molto tempo. Le lampade potrebbero bruciarvi la mano, dato che sono calde.
- Le cappe aspiranti da cucina sono state realizzate per uso domestico nella cucina normale. Esiste un rischio di malfunzionamento in altri tipi di utilizzo e il decadimento della garanzia del prodotto.
- Vanno rispettate le regole e le istruzioni stabilite dalle autorità competenti per quanto riguarda lo scarico dell'aria in uscita, . (Quanto affermato in questo avviso non si applica nell'utilizzo senza canna fumaria.)
- Alimenti infiammabili non devono essere cotti sotto l'apparecchiatura.
- Avviare il prodotto dopo aver collocato una pentola o un tegame sui fornelli. In caso contrario, la temperatura alta può causare la deformazione di alcune parti del prodotto.
- Spegnerne il fornello prima di togliere la pentola, padella, etc.
- Non lasciare olio bollente sul fornello. I vasi che contengono olio bollente possono prendere fuoco da solo.
- Dato che gli oli possono prendere fuoco, in modo particolare quando si cucinano cibi fritti, è necessario prestare attenzione alle tende ed alle tovaglie.

- Assicurarci di sostituire tempestivamente i filtri. I filtri non sostituiti in modo tempestivo possono presentare rischio di incendio a causa dei depositi di grasso che si accumulano su di essi.
- Non utilizzare materiali filtranti non resistenti al fuoco al posto del filtro.
- Non far funzionare il prodotto senza filtro, e non rimuovere i filtri quando il prodotto è in funzione.
- In caso di incendio, togliere energia alla cappa ed ad altri apparecchi di cottura. (Scollegare l'apparecchiatura o spegnere l'interruttore principale).
- Se la pulizia periodica del prodotto non è fatta in modo tempestivo si potrebbe generare rischio di incendio.
- Togliere energia all'apparecchiatura prima di qualsiasi intervento di manutenzione. (Scollegare l'apparecchiatura o spegnere l'interruttore principale).
- Quando la cappa elettrica ed i dispositivi alimentati da energia diversa da quella elettrica funzionano contemporaneamente, la pressione negativa nella stanza non deve superare i 4 Pa (4 x 10 bar).
- Le apparecchiature funzionanti con combustione di gas o di olio, come i riscaldatori dei locali, che condividono lo stesso ambiente con il prodotto, devono essere completamente isolati dallo scarico del prodotto, oppure devono essere ermetici.
- Quando si esegue un collegamento di canna fumaria per il prodotto, servirsi di tubi con diametro 150 mm o 120 mm. La lunghezza del collegamento del tubo, oltre che il numero di "gomiti" va limitato quanto più possibile.
- I bambini non devono giocare con l'apparecchiatura.
- Per la vostra sicurezza, utilizzare un fusibile "MAX 6 A" nel sistema della cappa.
- Poiché i materiali di imballaggio potrebbero essere pericolosi, tenerli lontano dalla portata dei bambini.
- Se il cavo di alimentazione è danneggiato, deve essere sostituito dal produttore o dal servizio tecnico autorizzato, o da altro personale qualificato dello stesso livello, al fine di evitare situazioni pericolose.
- In caso di deflagrazione, togliere energia alla cappa ed alle apparecchiature di cottura e coprire la fiamma. Non usare mai acqua per spegnere il fuoco.
- Quando le apparecchiature di cottura sono in funzione, le loro parti accessibili potrebbero essere calde.
- Questa apparecchiatura non è concepita per essere utilizzata da persone con disabilità fisiche, sensoriali e mentali (compresi i bambini) o da coloro che non hanno sufficiente esperienza e conoscenza per quanto riguarda il suo utilizzo, a meno che non siano sotto la supervisione di una persona responsabile della sicurezza dell'apparecchiatura.
- Dopo l'installazione della cappa, la distanza minima tra il prodotto e qualsiasi fornello elettrico deve essere di 65 cm; deve essere invece di 75 cm tra il prodotto e qualunque fornello a gas o funzionante con altri combustibili.
- L'uscita della cappa non deve essere collegata a condotti d'aria dove sono presenti altri fumi.

- È necessario prestare attenzione quando si utilizza l'apparecchiatura insieme ad altri apparecchi che condividono lo stesso ambiente con la stessa (ad esempio stufe o caldaie a gas, a gasolio, a carbone, a legna, scaldabagno, etc.). Attenzione deve essere prestata quando essi si utilizzano contemporaneamente. Attenzione deve essere prestata quando essi si utilizzano contemporaneamente. Questo perché la cappa potrebbe influenzare negativamente la combustione, scaricando l'aria dell'ambiente.
- Questo avviso non si applica per l'utilizzo senza canna fumaria.
- Quando la cappa elettrica viene utilizzata contemporaneamente a dispositivi che utilizzano gas o altri combustibili, deve essere presente una sufficiente ventilazione del locale (potrebbe non applicarsi tale avviso ai dispositivi che scaricano l'aria nella stanza).

3.1 RISCHIO DI VITA - PERICOLO DI AVVELENAMENTO



PERICOLO!

Attenzione - Pericolo di soffocamento

I materiali di imballaggio sono pericolosi per i bambini. Non permettere mai ai bambini di giocare con il materiale di imballaggio.



PERICOLO!

Attenzione - Pericolo di morte

Sono presenti pericolo di vita e pericolo di avvelenamento a causa dei gas di combustione riassorbiti. Durante l'utilizzo dell'uscita di scarico dell'aria, non utilizzare l'apparecchiatura contemporaneamente a dispositivi che scaricano gas tossici tramite canna fumaria, come stufe, caldaie, scaldabagni a gas, ad olio, a legna o a carbone, etc., a meno che non sia assicurato un sufficiente apporto d'aria. Fig. 2

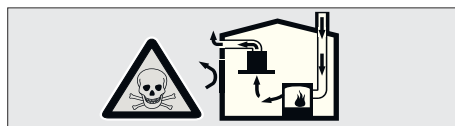


Fig. 2: Pericolo di Avvelenamento

I dispositivi ventilati (ad esempio stufe, caldaie, scaldabagni a gas, ad olio, a legna o a carbone, etc.) funzionano prendendo l'aria necessaria alla combustione dal luogo in cui sono installati, e scaricano i gas prodotti attraverso un apposito sistema per lo scarico (per esempio canna fumaria). Quando la cappa è attiva, preleva aria dalla cucina e dalle camere vicine. Se non è previsto un ingresso d'aria adeguato. In tal caso, i gas tossici vengono assorbiti dalla canna fumaria e dal canale di scarico gas e vengono re immessi in casa. Fig. 2

- Pertanto, un adeguato apporto di aria fresca all'ambiente deve essere sempre garantito. Fig. 3

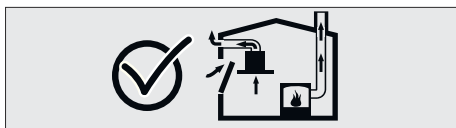


Fig. 3

**PERICOLO!****Pericolo di incendio!**

- Il residuo dell'olio nel filtro antigrasso può prendere il fuoco. **Pulire il filtro antigrasso almeno una volta ogni 3 mesi.** Non usare mai il dispositivo senza il filtro antigrasso.
- Il residuo dell'olio nel filtro antigrasso può prendere il fuoco. Mai lavorare con fiamma libera (ad es. il flambé) vicino al dispositivo. L'apparecchio può essere installato vicino a un riscaldatore a combustibile solido (ad esempio legno o carbone) solo se presenta una copertura non rimovibile. Nessuna scintilla deve essere sparsa.
- L'olio caldo e il grasso si infiamma facilmente. Gli oli e grassi caldi non devono mai essere lasciati incustoditi. Non tentare mai di spegnere il fuoco con acqua. Spegnerne il fornello. Spegnerne attentamente le fiamme usando una coperta, una coperta ignifuga antifiamma o un materiale simile.
- I fornelli a gas che non hanno su di essi le pentole creano il calore elevato durante il funzionamento. Per questo motivo un dispositivo di ventilazione posizionato sopra i fornelli può essere danneggiato o bruciato. Azionare i fornelli a gas solo quando c'è una pentola su di essi.
- L'utilizzo di più becchi simultaneamente crea un elevato calore. Per questo motivo un dispositivo di ventilazione posizionato sopra i fornelli può essere danneggiato o bruciato. Non utilizzare mai due becchi a gas più lunghi di 15 minuti con la alta fiamma. Un grande becco su di 5kW (Wok) ha la potenza di due becchi a gas.

**PERICOLO!****Pericolo di folgorazione!**

- Un dispositivo malfunzionante può causare scosse elettriche. Non accendere mai un dispositivo malfunzionante. Tirare la spina e spegnere l'interruttore. Chiamare Servizio clienti.
- Le riparazioni inadeguate presentano rischi. Le riparazioni e la sostituzione dei cavi di alimentazione danneggiati devono essere eseguiti solo da un tecnico di assistenza clienti addestrato da noi. Se il dispositivo non funziona correttamente, tirare la spina e spegnere l'interruttore. Chiamare Servizio clienti.
- L'acqua che penetra nel dispositivo potrebbe causare scosse elettriche. Non utilizzare detersivi ad alta pressione o vapore.

**PERICOLO!****Pericolo di lesioni fisiche!**

- Durante l'installazione vi è pericolo di ferite causate dai bordi taglienti. Utilizzare i guanti di protezione durante tutto il processo di installazione dell'apparecchiatura.
- A causa del rischio di caduta dell'apparecchiatura, il montaggio di tutti i bulloni e delle coperture di sicurezza deve essere eseguito come specificato nel manuale utente.
- Gli oggetti posizionati sull'apparecchio potrebbero cadere. Non collocare nessun oggetto sul dispositivo.
- Le luci LED sono molto luminose e possono danneggiare gli occhi (gruppo di rischio 1). Non è necessario guardare direttamente le luci LED per più di 100 secondi.

**PERICOLO!****Rischio di ustione, rischio di folgorazione!**

- Lasciare che l'apparecchiatura si raffreddi prima di eseguire operazioni di pulizia o di manutenzione. Disattivare il fusibile o estrarre la spina dalla presa di corrente.
- Vi è rischio di danni dovuti alla penetrazione di umidità nelle componenti elettroniche. Non pulire mai gli elementi di controllo con un panno umido.
- La superficie potrebbe danneggiarsi a causa di una errata operazione di pulizia. Pulire le superfici in acciaio inox solo nella direzione della smerigliatura. Non utilizzare i detergenti per acciaio inox per gli elementi di comando.
- La superficie potrebbe danneggiarsi a causa di detergenti aggressivi ed abrasivi. Non utilizzare mai detergenti aggressivi od abrasivi.

**PERICOLO!****Pericoli di incendio e lesioni fisiche!**

In caso di riparazione non eseguita secondo le regole o come richiesto, disattivare il fusibile o scollegare il cavo di alimentazione dell'apparecchiatura. La riparazione deve essere eseguita solo dal servizio tecnico autorizzato o da esperti autorizzati.

**NOTA!**

Se l'apparecchiatura è guasta o danneggiata, disattivare il fusibile o scollegare il cavo di alimentazione dell'apparecchiatura e chiamare il servizio autorizzato.

**NOTA!**

Se il cavo di alimentazione è danneggiato, deve essere sostituito dal produttore o dal servizio tecnico autorizzato, o da altro personale qualificato dello stesso livello, al fine di evitare situazioni pericolose.

**NOTA!**

Quando le lampadine del dispositivo non funzionano correttamente, spegnere l'interruttore e scollegare la spina di alimentazione del dispositivo dalla presa. Sostituire subito le lampadine difettose (per prima cosa lasciare le lampadine a raffreddare) per proteggere le lampadine rimanenti contro il sovraccarico.

**ATTENZIONE!**

I componenti accessibili possono riscaldarsi quando viene utilizzata con il dispositivo di cottura.

**PERICOLO!**

Il tubo di uscita dell'aria di questa apparecchiatura non deve essere collegato alla canna fumaria utilizzata per scaricare il fumo generato da dispositivi che utilizzano gas o altri combustibili.

Cause di danni**ATTENZIONE!**

Pericolo di danni dovuto alla corrosione. Azionare sempre l'apparecchio per evitare la formazione di condensa durante la cottura. I condensati possono causare danni alla corrosione. Sostituire subito la lampada malfunzionante per evitare il sovraccarico di altre lampade. L'intrusione di umidità in parti elettroniche pone un rischio di danneggiamento. Non pulire mai gli elementi di controllo con un panno bagnato. La superficie potrebbe danneggiarsi a causa di una errata operazione di pulizia. Pulire le superfici in acciaio inox solo nella direzione della smerigliatura. Non utilizzare un detergente per acciaio inox per gli elementi di comando. La superficie potrebbe danneggiarsi a causa di detersivi aggressivi ed abrasivi. Non utilizzare mai detersivi aggressivi ed abrasivi. Vi è rischio di danni dovuti al flusso di liquido condensato. Installare il canale di uscita dell'aria con una piccola inclinazione verso il basso (inclinazione 1°) dall'apparecchio.

4 UTILIZZI DEI FILTRI CON O SENZA CARBONE



È possibile utilizzare il dispositivo sia in modalità scarico d'aria che in modalità circolazione d'aria.

Modalità scarico d'aria

L'aria aspirata viene pulita dai filtri anti grasso, e viene espulsa attraverso un sistema di tubazioni. Fig. 4

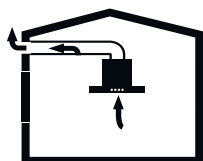


Fig. 4: Scarico d'aria senza filtro a carbone



NOTA!

L'aria di scarico non deve mai essere collegata ad una canna fumaria attiva in cui passano fumo o gas di scarico, nemmeno dovrebbe essere collegata a un condotto utilizzato per la ventilazione dei luoghi in cui sono installate le fonti di calore.

- Se l'aria di scarico è necessaria per essere collegata ad una canna fumaria attiva in cui passano fumo o gas di scarico, è necessario ottenere il permesso dai spazzacamini autorizzati.
- Se l'aria di scarico viene mandata fuori oltre la parete esterna, è necessario utilizzare una cassa a muro telescopica.

Modalità di circolazione dell'aria



L'aria aspirata viene pulita dai filtri anti grasso e da un filtro a carboni attivi e viene rimandata nella cucina. Fig. 5



Fig. 5: Circolazione dell'aria del filtro a carbonio



È necessario installare un filtro a carboni attivi per contenere le sostanze che emettono l'odore nella modalità di circolazione dell'aria. Consultare il rivenditore autorizzato per le diverse possibilità necessarie per l'azionamento del dispositivo nella modalità di circolazione dell'aria. È possibile ottenere gli accessori necessari per questo processo dai relativi punti vendita, dai servizi autorizzati o da centri di vendita on-line.

5 SOSTITUZIONE DEL FILTRO A CARBONE

In ambienti senza canna fumaria, deve essere utilizzato il filtro a carboni attivi per filtrare l'aria e re immetterla nell'ambiente. Il filtro a carboni attivi dovrebbe essere ottenuto dal servizio tecnico o dal vostro rivenditore. Togliere l'energia all'apparecchiatura prima di sostituire il filtro a carbone. Poiché il filtro a carbone è utilizzato nelle cucine senza scarico di fumi all'esterno, deve essere sostituito ogni 3 / 5 mesi a seconda dell'utilizzo. Il filtro a carbone non deve mai essere lavato. I filtri anti grasso devono essere installati nel prodotto, indipendentemente dal fatto che si utilizzino o meno i filtri a carbone. Non utilizzare il prodotto senza filtro anti grasso installato.

5.1 AF 100 Sostituzione del filtro a carbone

FILTRO A CARBONE AF 100

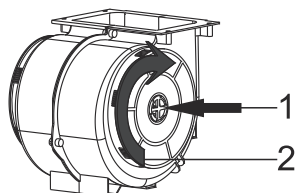


Fig. 6: FILTRO A CARBONE AF 100

L'apparecchiatura acquistata è adatta per essere usata con i filtri a carbone AF 100.

- 1-Posizionare il filtro a carbone nella sua sede.Fig. 6
- 2-Ruotare il filtro a carbone in senso orario, assicurarsi che esso sia completamente in sede.Fig. 6



Se filtro a carbone non é completamente in sede, potrebbe cadere e danneggiare il vostro prodotto.



PERICOLO!

Non lavare mai i filtri a carbone.

Tenere i filtri a carbone lontano dai bambini.

5.2 AF 500 Sostituzione del filtro a carbone

FILTRO A CARBONI

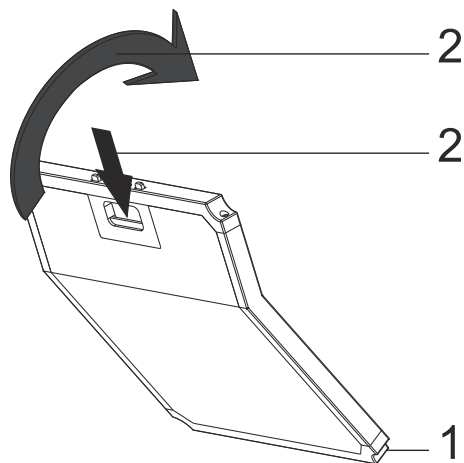


Fig. 7: FILTRO A CARBONI

- Il filtro a carboni attivi non è incluso nella fornitura.
- È possibile ottenere i filtri a carboni di ricambio presso i servizi autorizzati.

L'apparecchiatura acquistata è adatta per l'utilizzo con i filtri a carbone.

- 1-Collocare la parte bassa del filtro a carboni attivi sul mobiletto del motore.Fig. 7
- 2-Premere la linguetta del filtro a carboni attivi e premerla in avanti, quindi verificare che le linguette del filtro a carboni attivi siano innestate e bloccate.Fig. 7



Se filtro a carbone non è completamente in sede, potrebbe cadere e danneggiare il vostro prodotto.



PERICOLO!

Non lavare mai i filtri a carbone se non siete sicuri che sono lavabili. Consultare il venditore.

Tenere i filtri a carbone lontano dai bambini.

6 PULIZIA E MANUTENZIONE PREVENTIVA



ATTENZIONE!

La pulizia e l'utilizzo non devono essere effettuati da bambini senza la sorveglianza di adulti.

- La superficie potrebbe danneggiarsi dai detersivi aggressivi ed abrasivi. Non utilizzare mai detersivi aggressivi od abrasivi. Recuperare i materiali di pulizia e di protezione adeguati per l'apparecchiatura presso il servizio tecnico autorizzato. Le superfici dell'apparecchiatura e delle unità di controllo sono sensibili ai graffi.
- Pulire le superfici con un panno morbido ed umido, utilizzare detersivi non aggressivi quali un detersivo per le stoviglie od un detersivo per i vetri. Ammorbidire lo sporco appiccicoso e difficile con un panno umido. Non raschiare!
- Non è opportuno utilizzare panni asciutti, spugne che possono graffiare, materiali che richiedono sfregamento e detersivi contenenti sabbia, soda, acidi o cloro, oppure altri aggressivi.
- Pulire le superfici in acciaio inox solo nella direzione della smerigliatura.
- Non utilizzare detersivi per acciaio inox e panni bagnati sulle unità di controllo. Pulizia dei filtri anti grasso metallici: I filtri anti grasso metallici utilizzati trattengono le particelle grasse presenti nell'umidità e nel vapore generati in cucina. In condizioni di uso normale (1-2 ore al giorno), pulire i filtri anti grasso metallici ogni circa tre mesi.
- Non utilizzare detersivi eccessivamente forti e che contengono acidi o cloro.
- Nella pulizia dei filtri anti grasso metallici, pulire anche le parti di supporto dei filtri stessi nell'apparecchiatura, con un panno umido.
- È possibile lavare i filtri anti grasso metallici in lavastoviglie o a mano.

6.1 PULIZIA DEI FILTRI IN ALLUMINIO

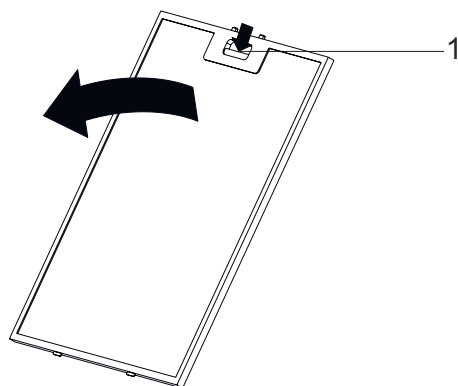


Fig. 8

1 Aletta del filtro in alluminio



Pulire i filtri dell'olio in alluminio a cadenza periodica, ogni 3 mesi.

- Premere l'aletta del filtro in alluminio (1) e tirare il filtro in alluminio nella direzione della freccia (Fig. 8).
- Mentre viene rimosso il filtro in alluminio, tenerlo con l'altra mano per evitare che cada.
- Quando viene rimosso il filtro in alluminio, per evitare il gocciolamento dell'olio accumulato, tenere la superficie del filtro parallela al pavimento.

6.2 Lavaggio in Lavastoviglie

In caso di lavaggio in lavastoviglie, può verificarsi una leggera scolorizione. Ciò non ha alcun effetto sul funzionamento del filtro anti grasso metallico.

- Non lavare i filtri anti grasso metallici eccessivamente sporchi insieme alle stoviglie.
- Posizionare i filtri anti grasso metallici nella lavastoviglie liberamente. I filtri anti grasso metallici devono essere messi in lavastoviglie senza essere.

6.3 Lavaggio a mano



È possibile utilizzare una speciale sostanza sgrassante per gli sporchi ostinati. È possibile avere tale sostanza dal centro di vendita autorizzato.

- *Ammorbidire i filtri anti grasso metallici in acqua calda con un detersivo liquido per le stoviglie.*
- *Utilizzare una spazzola per la pulizia ed attendere che il liquido nei filtri metallici defluisca all'esterno completamente.*
- *Risciacquare accuratamente i filtri dopo la pulizia.*

7 COLLOCAZIONE DEL DISPOSITIVO

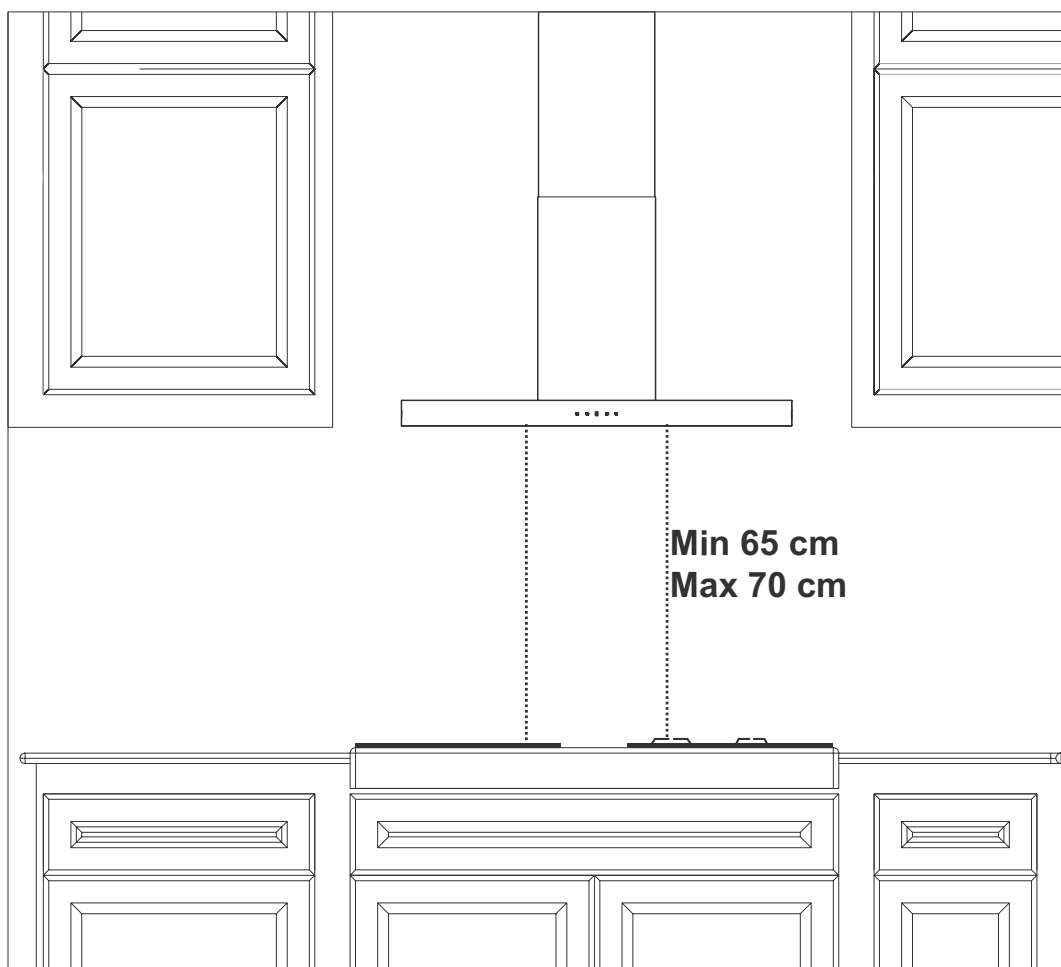


Fig. 9: Copia di 4110 min max

Dopo aver completato l'installazione della cappa, la distanza minima tra il prodotto e qualsiasi fornello elettrico deve essere di 65 cm; inoltre vi devono essere 75 cm tra essa e gli altri fornelli a gas o ad altri combustibili ad olio (Fig. 9).

7.1 Installazione e Disimballaggio

- Verificare che l'apparecchiatura non sia deformata.
- Segnalare immediatamente problemi derivanti dal trasporto al responsabile del trasporto.
- Eventuali anomalie riscontrate devono essere comunicate anche al rivenditore.
- Non consentire ai bambini di giocare con il materiale di imballaggio .

7.2 Consigli per risparmiare energia

- Sostituire i filtri a carbone ad intervalli regolari.
- Pulire regolarmente i filtri in alluminio. Poiché i filtri sporchi potrebbero bloccare il passaggio dell'aria, potrebbe rendersi necessario utilizzare l'apparecchiatura ad una velocità superiore.
- Utilizzare il prodotto secondo la sua velocità normale.
- Utilizzarlo a velocità superiore potrebbe causare un aumento del consumo di energia.

8 CONTENUTO DELLA CONFEZIONE

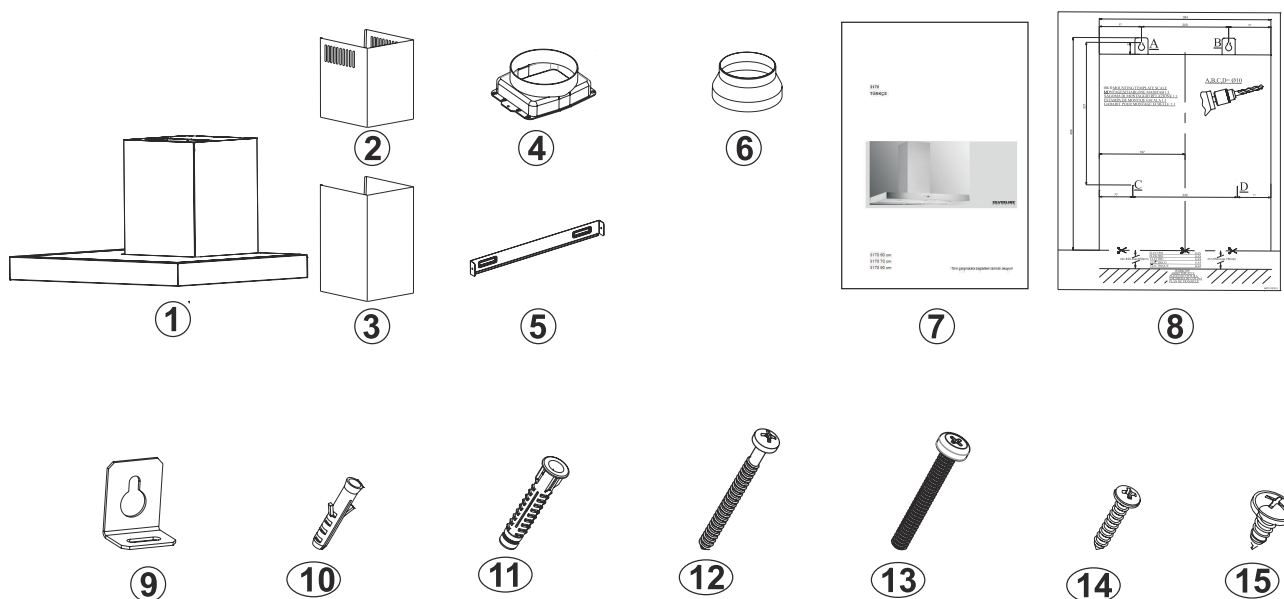


Fig. 10

- | | |
|---|--|
| <ul style="list-style-type: none"> 1- Prodotto 2- Canna Fumaria Interna 3- Canna Fumaria Esterna 4- Adattatore in plastica per canna fumaria da Ø150/120mm 5- Dima di Montaggio 6- Canna fumaria in plastica Ø150mm 7- Manuale dell'Utente 8- Schema di montaggio | <ul style="list-style-type: none"> 9- Piastra di Sospensione del prodotto 10- Tassello in plastica Ø6mm 11- Tappo parete in plastica Ø 10 mm 12- 5,5x60 Vite per montaggio a parete 13- Vite per montaggio prodotto M5x35 14- 3,9x22 Vite piatta di collegamento canna fumaria 15- 3,5x9,5 Vite per collegamento di canna fumaria |
|---|--|

9 VISTA GENERALE DELLA CAPPA

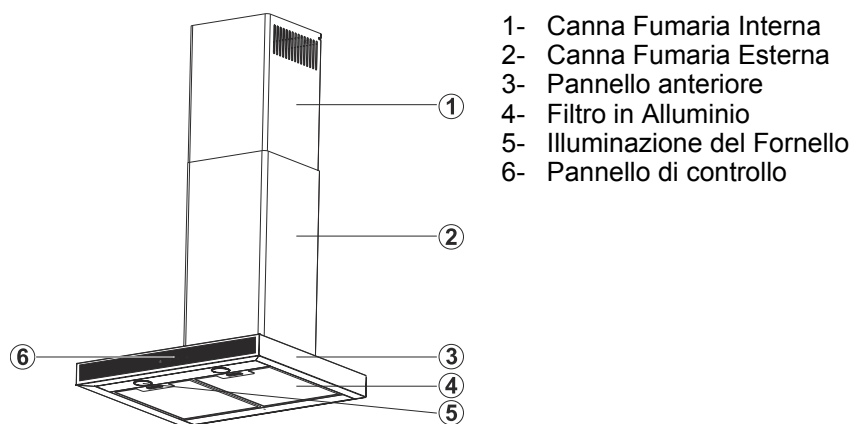


Fig. 11

10 INSTALALZIONE DEL PRODOTTO

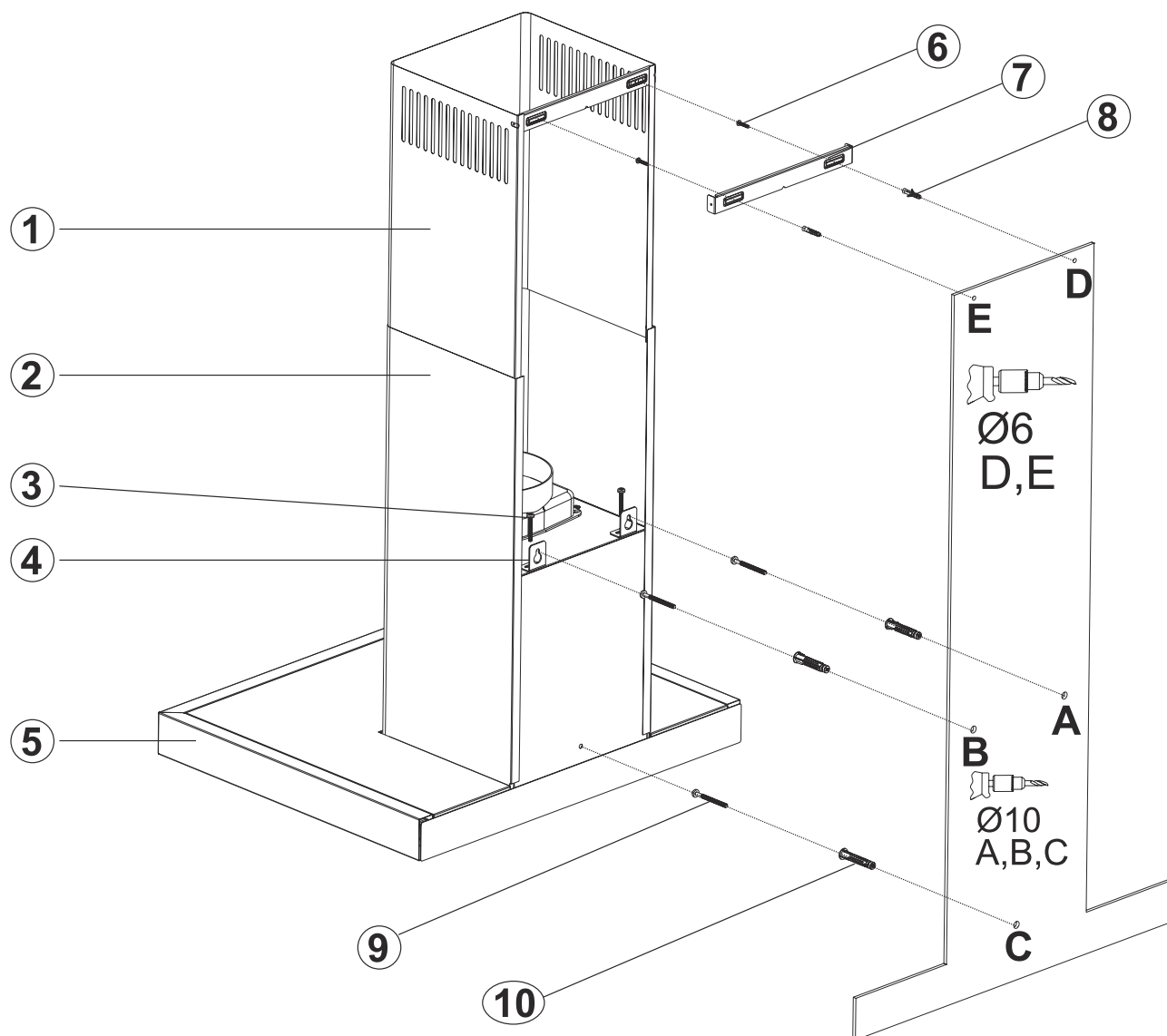


Fig. 12

- | | |
|--|---|
| 1- Canna Fumaria Interna | 6- 2 viti 3.9x22 |
| 2- Canna Fumaria Esterna | 7- Piatto di Collegamento della Canna Fumaria |
| 3- Piastra di Sospensione del prodotto | 8- Tassello in Plastica 2 x Ø 6 mm |
| 4- Piastra di Sospensione del prodotto e vite di fissaggio | 9- Vite per montaggio a parete 3x 5.5 x 60 |
| 5- Vetro | 10- 3x tappo da parete in plastica, Ø 10 mm |

1. ➔ Montare la cappa con l'aiuto del schema di assemblaggio.
2. ➔ Fissare la dima di montaggio sulla parete all'altezza specificata (Vedere le distanze progettate minime e massime dal piano di lavoro), quindi eseguire i fori A, B e C con le dimensioni indicate nel modello (Fig. 12).

3. ➤ Inserire i tappi a parete, Ø 10mm nei fori realizzati con trapano A, B, C, D, e avvitare le viti 5.5 x 60 (9) nei punti A + B, in modo tale da lasciare uno spazio di 5mm fra la testa della vite e la parete (Fig. 12)
4. ➤ Fissare le piastre di sospensione del piano cottura sul corpo della cappa con viti M5x35 (3) (Fig. 12).
5. ➤ Sospendere la cappa dalle piastre di sospensione sulla parete nei punti (A, B). Se la cappa non è parallela, posizionarla in parallelo serrando o allentando le viti M5x35 (3).
6. ➤ Serrare le viti di fissaggio A + B alla parete e fissare il prodotto nel punto C.
7. ➤ Realizzare il collegamento di uscita dell'aria dal prodotto



Questa sezione è per i modelli che non dispongono di uno scarico automatico per la canna fumaria.

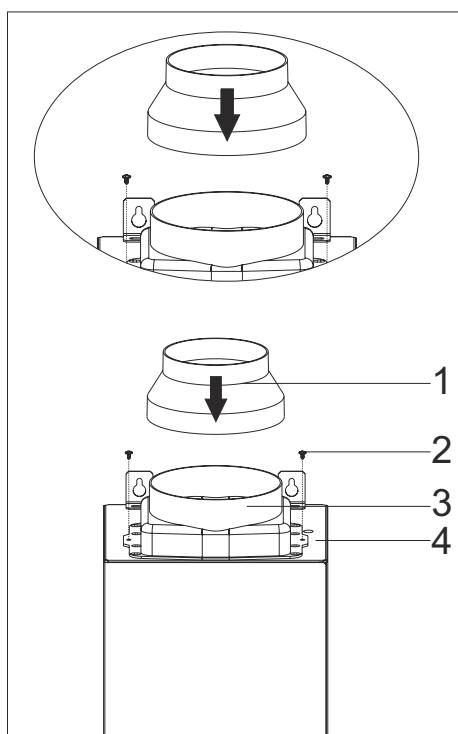
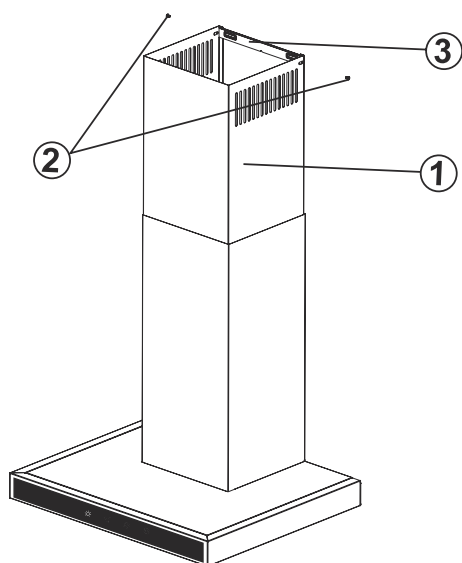


Fig. 13

1. ➤ Montare la canna fumaria in plastica sul corpo del prodotto, usando 2 viti da 3,5x9,5 (Fig. 13).
2. ➤ Collegare l'adattatore della canna alla canna in plastica, ove richiesto (Fig. 13).
3. ➤ Montare il tubo di uscita dell'aria del prodotto.

11 MONTAGGIO DELLA LAMIERA DI CANNA FUMARIA



- 1- Canna Fumaria Interna
- 2- Vite di fissaggio dei Piatti di Collegamento della canna fumaria.
- 3- Piatto di Collegamento della Canna Fumaria

I piatti in lamiera interni ed esterni sono assemblati uno dentro l'altro.

La cappa si trova nel mezzo, ed il piatto di collegamento della canna fumaria (3) va direttamente fissato alla parete, sotto la copertura o nei punti E ed F ().

Forare nei punti E ed F con la punta del trapano $\varnothing 6$ mm ed inserire i tasselli in plastica da $\varnothing 6$ mm. Inserire il piatto di collegamento della canna fumaria con le viti 3,9X22().

Fissare la canna fumaria interna al piatto di collegamento della canna fumaria tirandola verso l'alto (Fig. 14/2).

Fig. 14

12 COME USARE IL PRODOTTO



Fig. 15: Pulsante touch

1. ➤ Quando si preme questo tasto il prodotto funzionerà anche alla velocità 1.
2. ➤ Quando si preme questo tasto il prodotto funzionerà anche alla velocità 2.
3. ➤ Quando si preme questo tasto il prodotto funzionerà anche alla velocità 3.
4. ➤ Premere questo tasto per impostare la lampada su On o Off.

Per attivare la funzione timer, premere e tenere premuto uno dei pulsanti , e per 3 secondi. Successivamente, la funzione timer sarà abilitata entro 15 minuti ed il prodotto si spegnerà automaticamente dopo 15 minuti.



Tutte le funzioni che sono attive prima di abilitare la funzione timer si spegneranno al termine del periodo di 15 minuti.

Tutte le funzioni che sono attivate dopo avere abilitato la funzione timer continueranno a funzionare al termine del periodo di 15 minuti.

12.1 Come usare il controllo Dig Touch del prodotto a 5 velocità

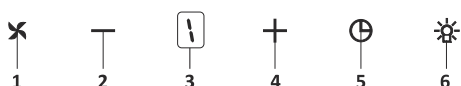


Fig. 16: Pulsante 5 Spd Dig

1. ➤ Premere questo tasto per accendere il prodotto. Fig. 16
2. ➤ Premere questo pulsante per ridurre la velocità del motore. Fig. 16
3. ➤ Dig display (display digitale) È possibile seguire la velocità in cui il prodotto è attualmente in funzione su questo display. Fig. 16
4. ➤ Premere questo pulsante per aumentare la velocità del motore. Fig. 16
5. ➤ Quando il tasto timer viene premuto, viene attivata una funzione timer di 15-minuti; il display emette un segnale quando parte il timer e il motore si arresta automaticamente dopo 15 minuti. Fig. 16

6. ➤ Premere il pulsante per accendere e spegnere la lampada. Fig. 16

Frequenza di pulizia per filtri metallici

I filtri devono essere puliti quando appare il segnale "C" sul display oppure (a seconda dell'utilizzo) ogni 2 o 3 settimane. Per eliminare il segnale "C" dopo la pulizia e la sostituzione dei filtri, tenere premuto (⌘) più di 3 secondi (quando il dispositivo è spento). La lettera "E" appare sul display ed il prodotto passa al funzionamento normale. Se è richiesta l'operazione prima di eliminare il segnale "C", la velocità del motore attiva apparirà per 1 secondo quando si preme (⌘) e poi il motore entrerà in marcia.

12.2 Uso del prodotto con pulsante a pressione

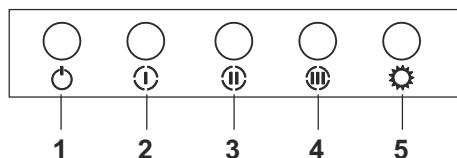


Fig. 17: Pulsante a pressione

1. ➤ Premere questo pulsante per resettare il prodotto.
2. ➤ Quando si preme questo tasto il prodotto funzionerà anche alla velocità 1.
3. ➤ Quando si preme questo tasto il prodotto funzionerà anche alla velocità 2.
4. ➤ Quando si preme questo tasto il prodotto funzionerà anche alla velocità 3.
5. ➤ Premere il pulsante per accendere e spegnere la lampada.

13 SOSTITUZIONE DELLE LAMPADE

13.1 Sostituzione faretto



Indica il consumo massimo della lampada. Quando si sostituisce la lampada deve essere utilizzata una lampada con la stessa potenza.



Per conoscere la potenza nominale utilizzata nel prodotto, vedere l'etichetta di dichiarazione nel prodotto.

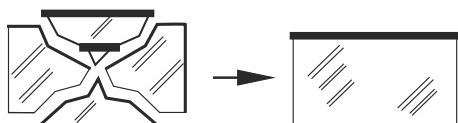


Fig. 18



PERICOLO!

Quando si sostituiscono le lampade, il vetro della lampada può essere rotto e potrebbe causare le lesioni.

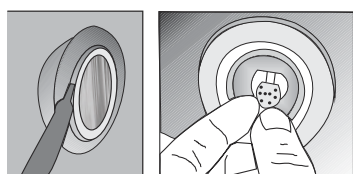


Fig. 19

Scollegare l'alimentazione elettrica della cappa. Rimuovere la cartuccia filtro in alluminio. Rimuovere la lampadina difettosa e sostituirla con una nuova della stessa potenza (Fig. 19).



PERICOLO!

Lasciare prima raffreddare le lampade perché potrebbero bruciare le vostre mani quando sono calde.

13.2 Sostituzione della Lampada Alogena



AVVERTIMENTO!

Scollegare l'alimentazione elettrica della cappa. Lasciare prima raffreddare le lampade perché potrebbero bruciare le vostre mani quando sono calde.



Indica il consumo massimo della lampada. Quando si sostituisce la lampada deve essere utilizzata una lampada con la stessa potenza.



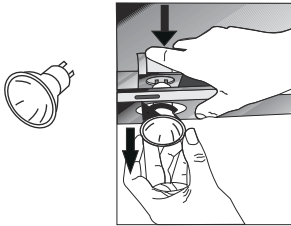
Per conoscere la potenza nominale utilizzata nel prodotto, vedere l'etichetta di dichiarazione nel prodotto.

Sostituzione della Lampada Plug



Sarà necessario usare solo la lampada alogena al tungsteno oppure la lampada a ioduri metallici di auto-protezione.

Fig. 20: Sostituzione della Lampada Alogena



Per la sostituzione delle lampade alogene, spingere verso il basso sul supporto della lampada dal suo retro, girare leggermente in senso antiorario e portarlo verso il basso. Fig. 21

Fig. 21: Sostituzione della Lampada Alogena

13.3 Sostituzione della Lampada Plug



AVVERTIMENTO!

Scollegare l'alimentazione elettrica della cappa. Lasciare prima raffreddare le lampade perché potrebbero bruciare le vostre mani quando sono calde.

 **max 28 W**

Indica il consumo massimo della lampada. Quando si sostituisce la lampada deve essere utilizzata una lampada con la stessa potenza.



Per conoscere la potenza nominale utilizzata nel prodotto, vedere l'etichetta di dichiarazione nel prodotto.

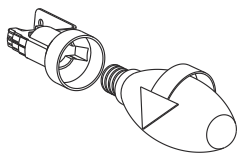


Fig. 22: Sostituzione della Lampada Alogena

Rimuovere la cartuccia filtro in alluminio. Rimuovere la lampadina difettosa e sostituirla con una nuova della stessa potenza. Fig. 22

14 ASSISTENZA TECNICA AUTORIZZATA

Se l'illuminazione non funziona:

- Assicurarsi che la spina dell'apparecchiatura sia inserita e che i fusibili siano intatti.
- Controllare le lampadine. Assicurarsi di aver scollegato l'apparecchiatura prima di effettuare questo controllo. Serrare le lampadine se sono allentate. Sostituirle se non si accendono anche a seguito di questa operazione.

Possibili Guasti e Che Cosa Fare Prima di Chiamare l'Assistenza Tecnica:

A) Se l'apparecchiatura non funziona in nessun modo:

- Verificare se la spina dell'apparecchiatura è inserita o se la spina è inserita correttamente nella presa.
- Controllare il fusibile a cui è collegata l'apparecchiatura, nonché il fusibile principale della casa.

Se le prestazioni dell'apparecchiatura sono insufficienti o se l'apparecchiatura funziona generando troppo rumore:

- Il diametro esterno della canna fumaria dell'apparecchiatura è adeguato? (min. 120mm).
- I filtri metallici sono puliti? Controllare.
- Se si utilizza la cappa senza canna fumaria, assicurarsi che i filtri a carbone non sono più vecchi di 6 mesi.
- State attenti a ventilare la vostra cucina in modo adeguato, al fine di fornire un flusso d'aria. Se non siete ancora soddisfatti delle prestazioni dell'apparecchiatura, consultare il servizio tecnico autorizzato.

Problemi e soluzioni

Descrizione inconveniente	Causa	Rimedio
Il prodotto non funziona.	Controllare la connessione di alimentazione.	La tensione di rete deve essere 220-240V, ed il prodotto deve essere collegato ad una presa dotata di messa a terra.
La lampada di illuminazione non funziona.	Controllare la connessione di alimentazione.	La tensione di rete deve essere 220-240V, ed il prodotto deve essere collegato ad una presa dotata di messa a terra.
La lampada di illuminazione non funziona.	Controllare l'interruttore della lampada.	L'interruttore della lampada deve essere in posizione "on".
La lampada di illuminazione non funziona.	Controllare le lampade.	Le lampade del prodotto non devono essere difettose.
La presa d'aria del prodotto è debole	Controllare il filtro in alluminio.	Il filtro a cartuccia in alluminio, in condizioni normali, deve essere lavato una volta al mese.
La presa d'aria del prodotto è debole	Controllare la canna fumaria di uscita dell'aria.	Lo scarico dell'aria della canna fumaria deve essere aperto.

Descrizione inconveniente	Causa	Rimedio
La presa d'aria del prodotto è debole	Controllare il filtro a carbone.	Nei prodotti che funzionano con i filtri a carbone, il filtro a carbone, in condizioni normali, deve essere sostituito una volta ogni 3 mesi .
Non scarica l'aria di scarico (in utilizzo senza canna fumaria)	Controllare il filtro in alluminio.	Il filtro a cartuccia in alluminio, in condizioni normali, deve essere lavato una volta al mese.
Non scarica l'aria di scarico (in utilizzo senza canna fumaria)	Controllare il filtro a carbone.	Nei prodotti che funzionano con i filtri a carbone, il filtro a carbone, in condizioni normali, deve essere sostituito una volta ogni 3 mesi .

15 SCHEMA TECNICA

Alimentazione di tensione	220 - 240 V 50Hz
Classe di isolamento di motore	F
Classe di isolamento	CLASSE I



Questo prodotto è conforme alla direttiva 2004/108/CE per la compatibilità elettromagnetica e la Direttiva Bassa Tensione (LVD) 2006/95/CE.



Questo prodotto è conforme alla Direttiva Rifiuti di apparecchiature elettriche ed elettroniche (RAEE).